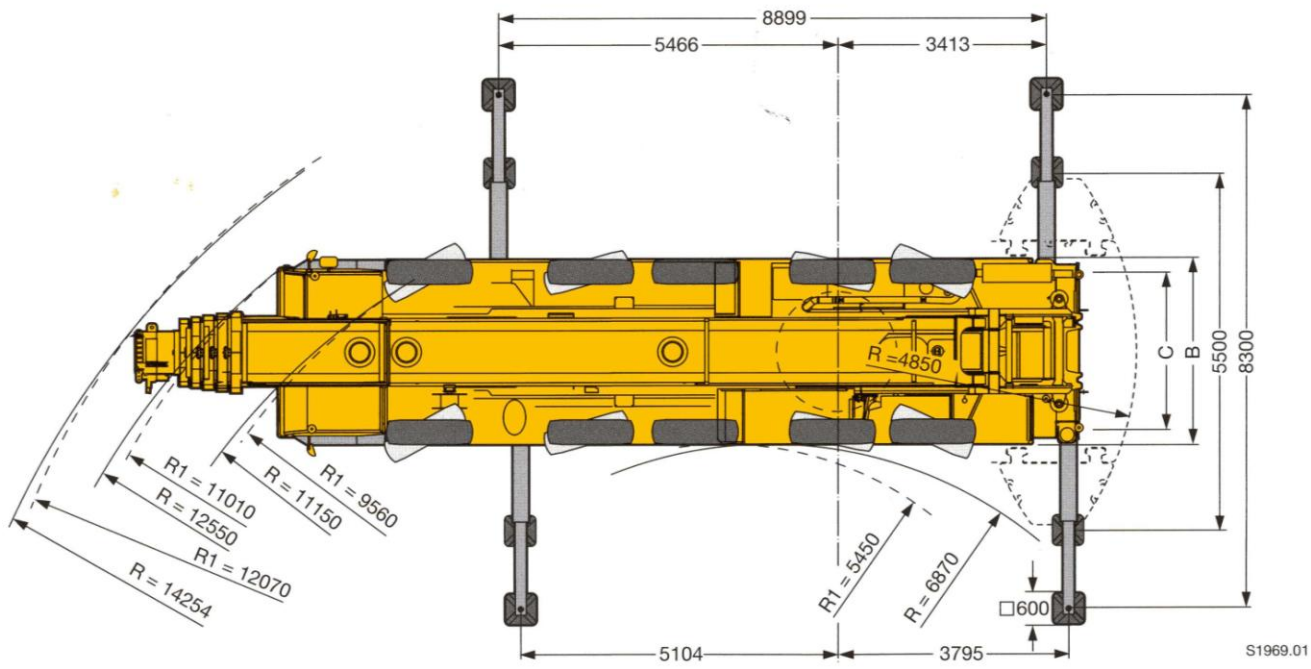
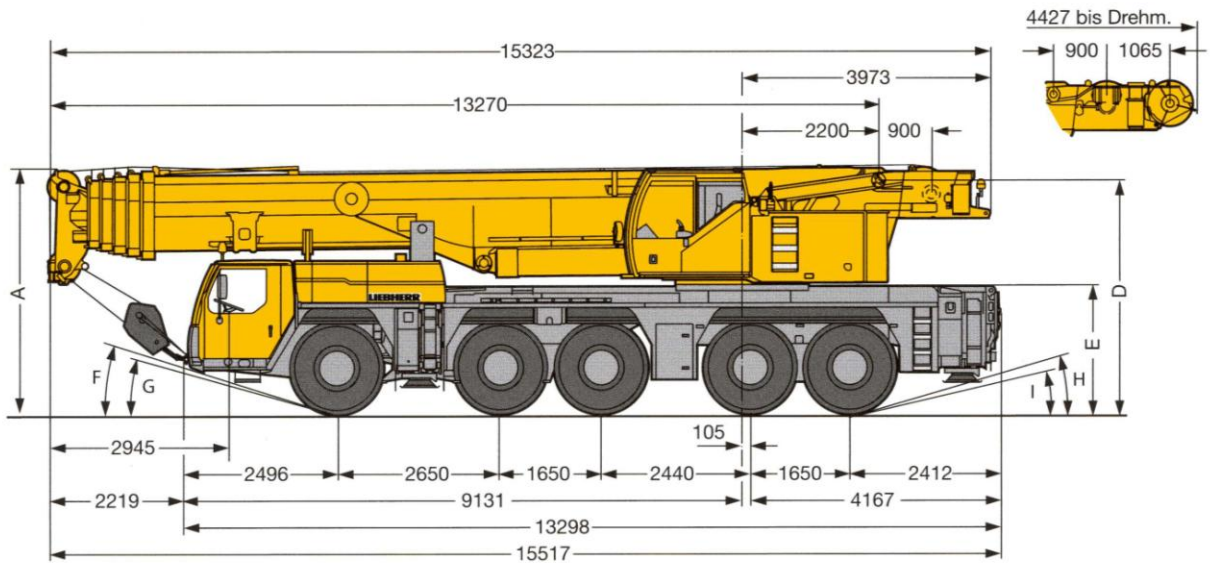



# Liebherr LTM1220-5.2 – Dimensions



R<sub>1</sub> = Allradlenkung · All-wheel steering · Direction toutes roues · Tutti gli assi sterzanti · Dirección en todos los ejes · Поворот всеми колесами

	Maße · Dimensions · Encombrement · Dimensioni · Dimensiones · Размеры мм									
	A	A 150 mm*	B	C	D	E	F	G	H	I
385/95 R 25 (14.00 R 25)	3950	3800	3000	2563	3700	2000	18°	14°	15°	12°
445/95 R 25 (16.00 R 25)	4000	3850	3000	2551	3750	2050	20°	16°	17°	14°
525/80 R 25 (20.5 R 25)	4000	3850	3100	2573	3750	2050	20°	16°	17°	14°

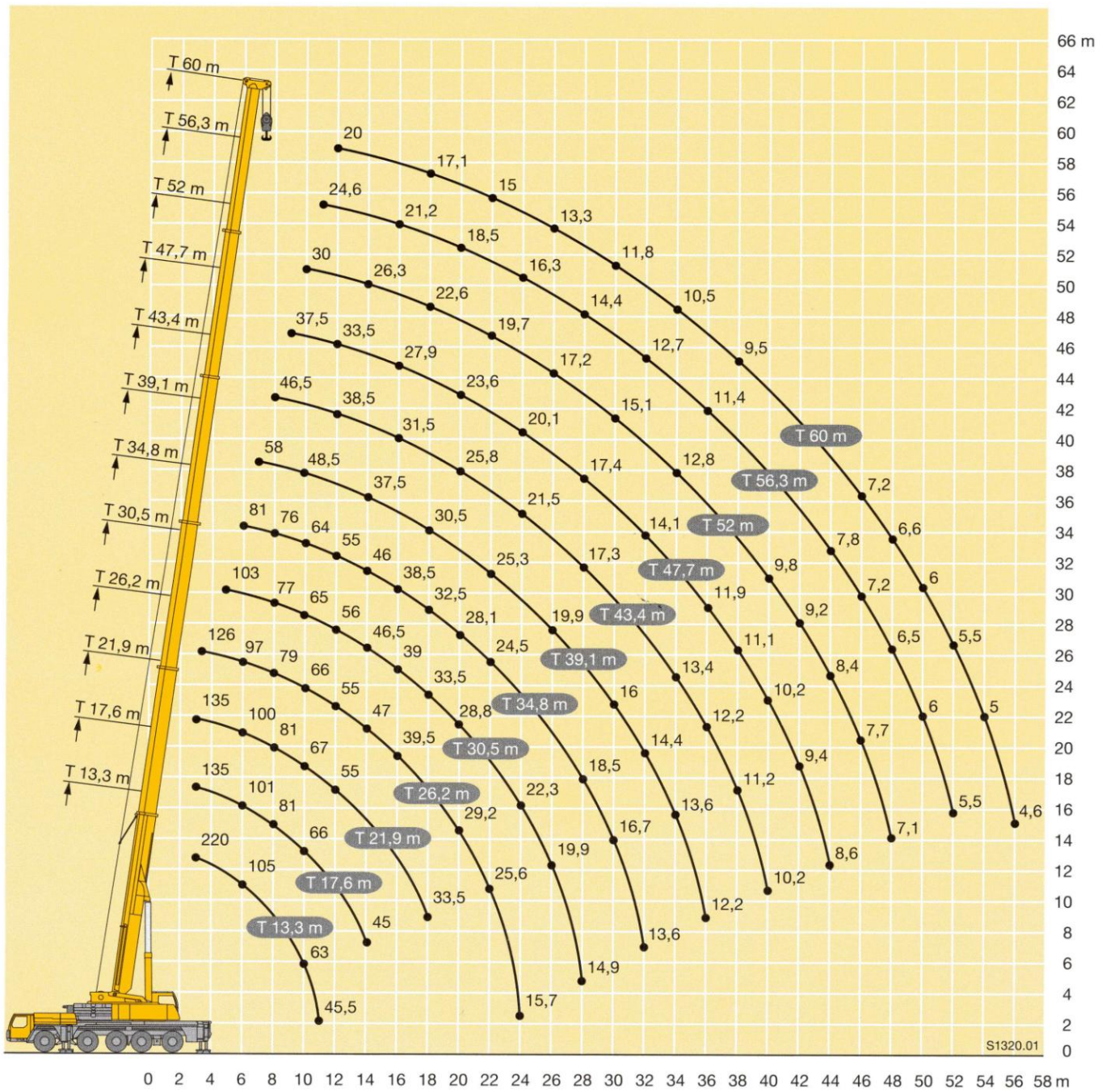
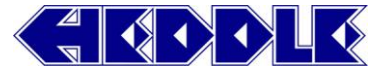
\* abgelenkt · lowered · abaissé · abbassato · suspensión abajo · шасси осажено

**Heddle Construction Ltd**

Grainshore Road, Hatston Industrial Estate, Kirkwall, Orkney, KW15 1FL

+44 (0) 1856 888666 | [www.heddle.co.uk](http://www.heddle.co.uk)

# Liebherr LTM1220-5.2 – Lifting Capacities



**Heddle Construction Ltd**

Grainshore Road, Hatston Industrial Estate, Kirkwall, Orkney, KW15 1FL

+44 (0) 1856 888666 | [www.heddle.co.uk](http://www.heddle.co.uk)