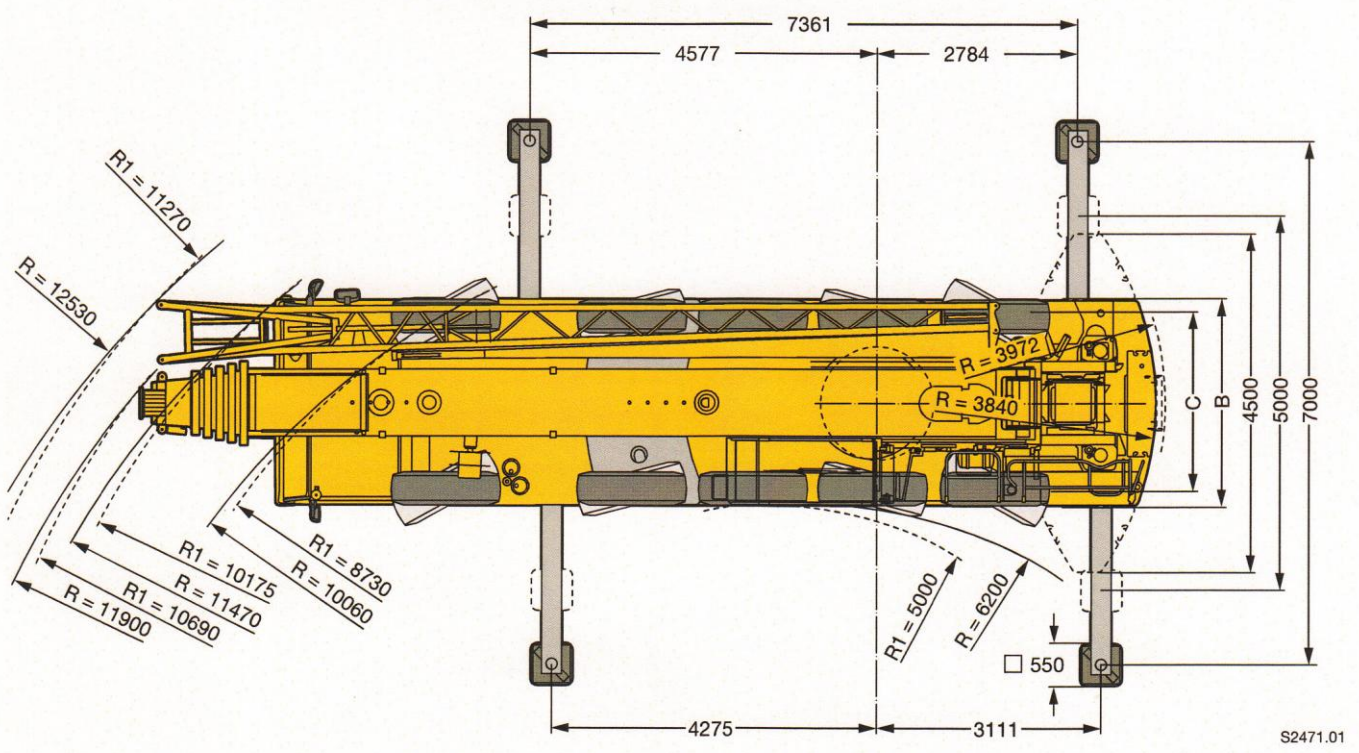
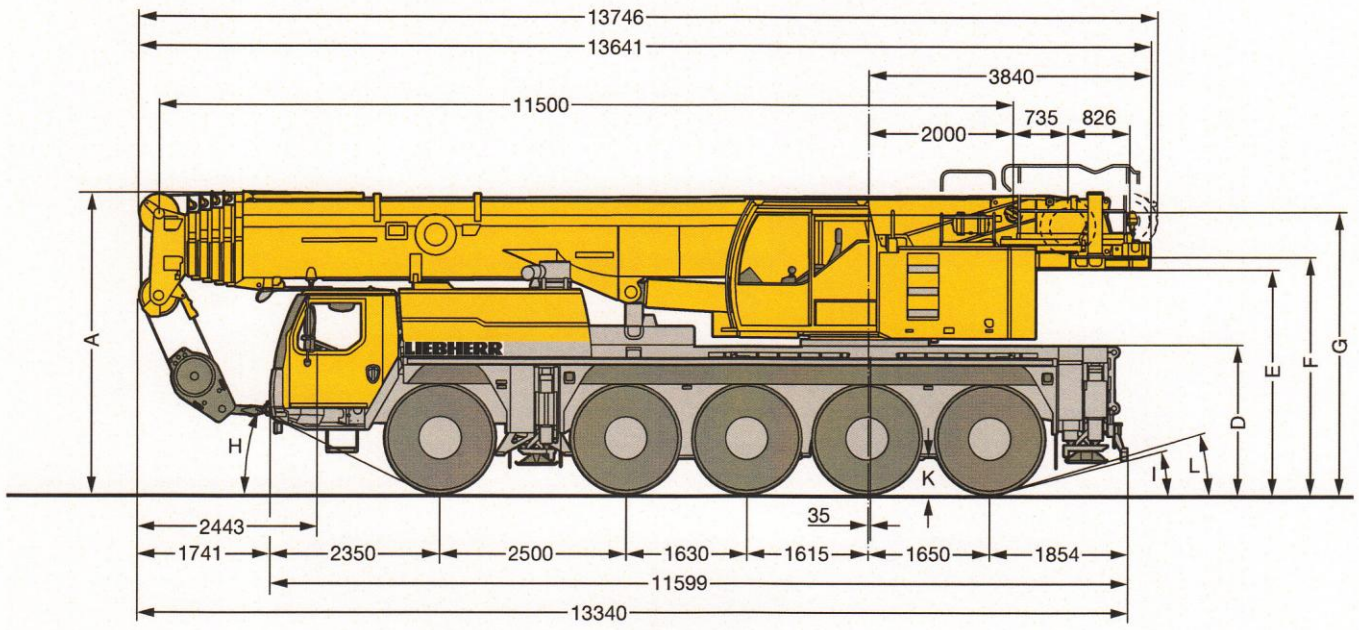



# Liebherr LTM1100-5.2 – Dimensions



S2471.01

	Maße · Dimensions · Encombrement · Dimensioni · Dimensiones · Размеры mm											
	A	A	B	C	D	E	F	G	H	I	K	L
385/95 R 25 (14.00 R 25)	3950	3850	2750	2313	1890	2925	3080	3655	22°	11°	375	14°
445/95 R 25 (16.00 R 25)	4000	3900	2750	2301	1940	2975	3130	3705	24°	13°	425	16°
525/80 R 25 (20.5 R 25)	4000	3900	2850	2323	1940	2975	3130	3705	24°	13°	425	16°

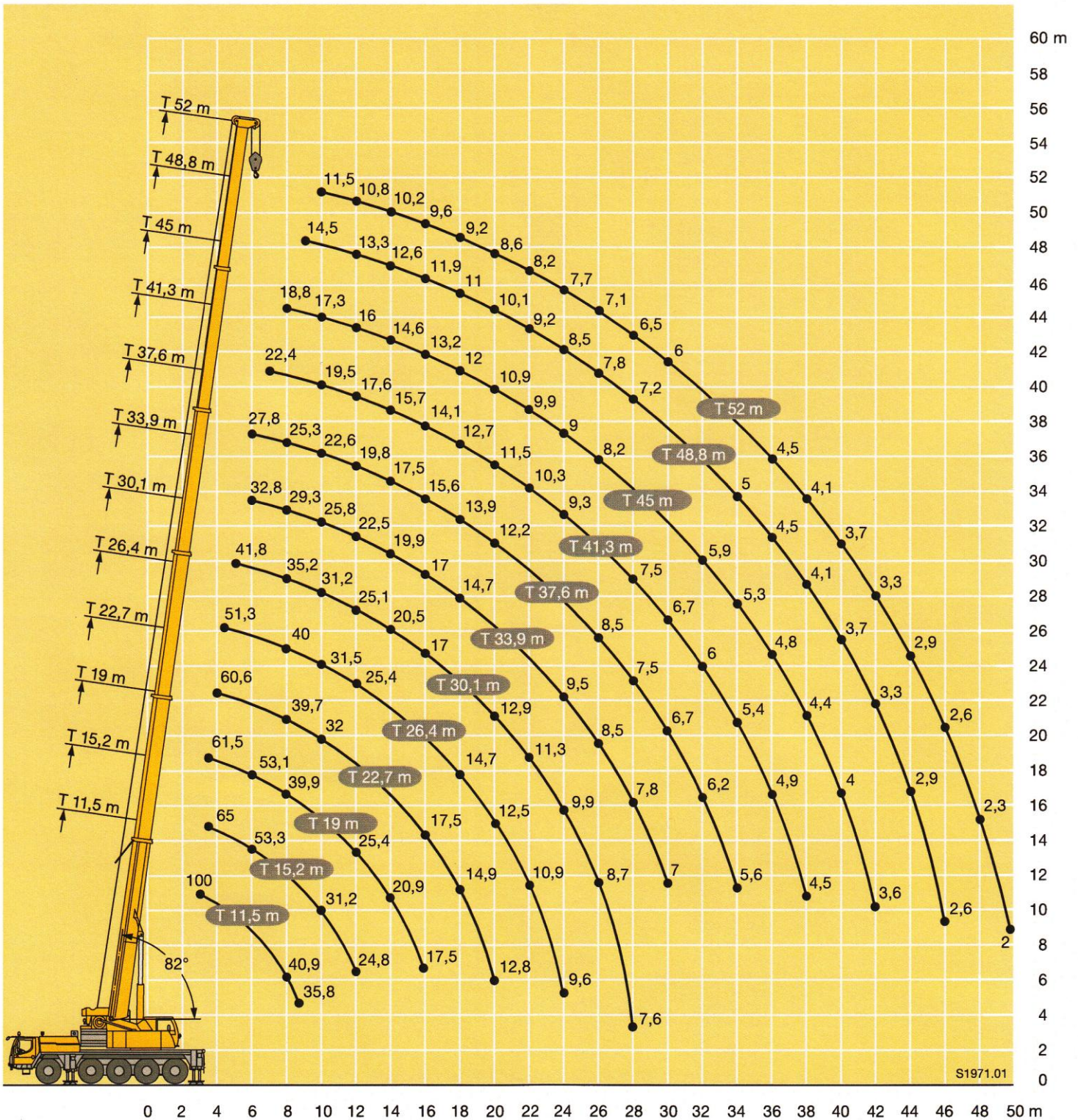
\* abgesenkt · lowered · abaissé · abbassato · suspensión abajo · шасси осажено

## Hedde Construction Ltd

Grainshore Road, Hatston Industrial Estate, Kirkwall, Orkney, KW15 1FL

+44 (0) 1856 888666 | www.hedde.co.uk

# Liebherr LTM1100-5.2 – Lifting Capacities



**Hedde Construction Ltd**

Grainshore Road, Hatston Industrial Estate, Kirkwall, Orkney, KW15 1FL

+44 (0) 1856 888666 | www.hedde.co.uk