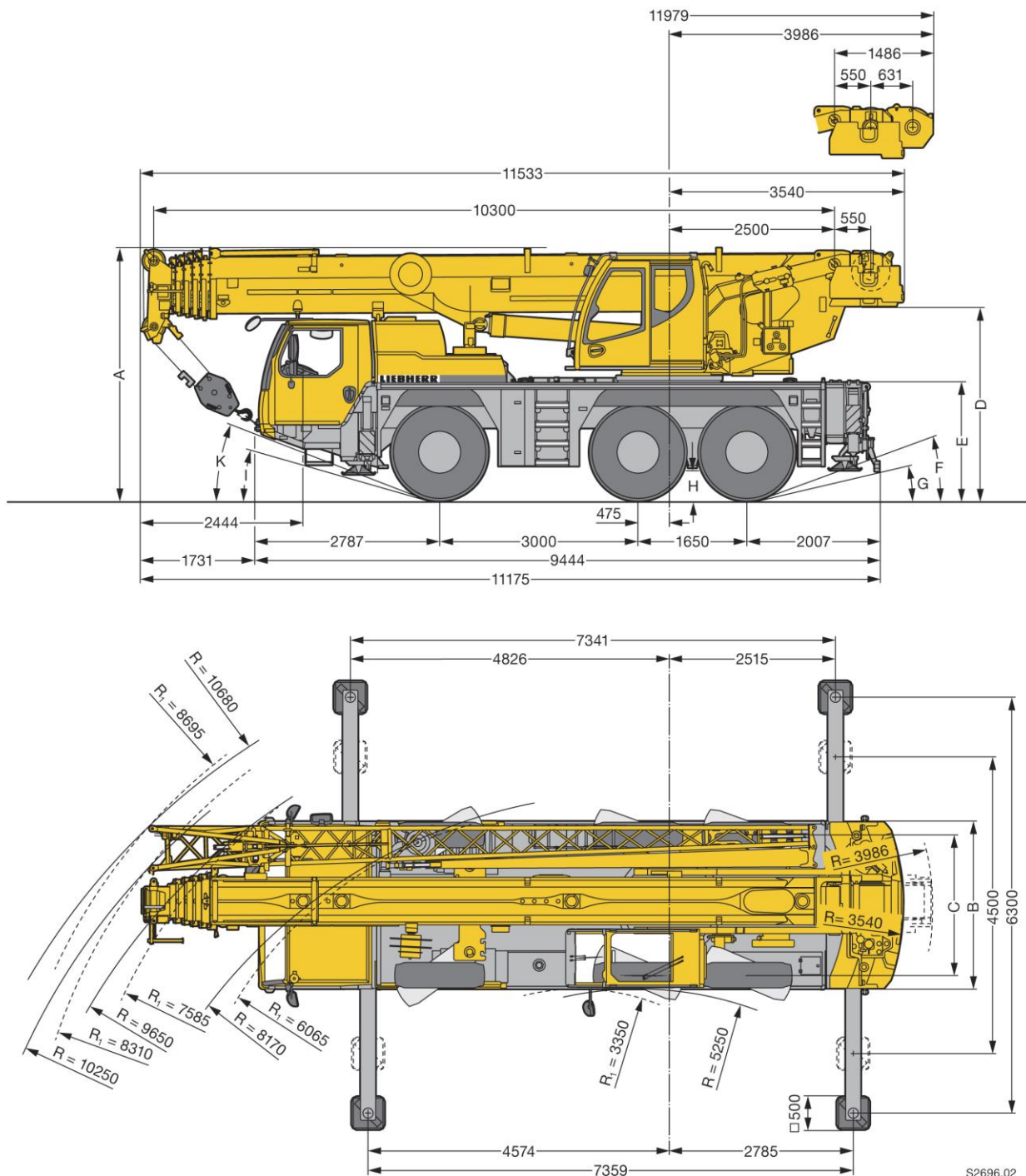


Liebherr LTM1060-3.1 – Dimensions



S2696.02

R_i = Allradlenkung · All-wheel steering · Direction toutes roues · Tutti gli assi sterzanti · Dirección en todos los ejes · Поворот всеми колесами

	Maße · Dimensions · Encombrement · Dimensioni · Dimensiones · Размеры mm										
	A	A 100 mm*	B	C	D	E	F	G	H	I	K
385/95 R 25 (14.00 R 25)	3750	3650	2550	2160	2863	1710	18°	11°	375	13°	18°
445/95 R 25 (16.00 R 25)	3800	3700	2550	2100	2913	1760	20°	12°	425	15°	20°
525/80 R 25 (20.5 R 25)	3800	3700	2690	2170	2913	1760	20°	12°	425	15°	20°

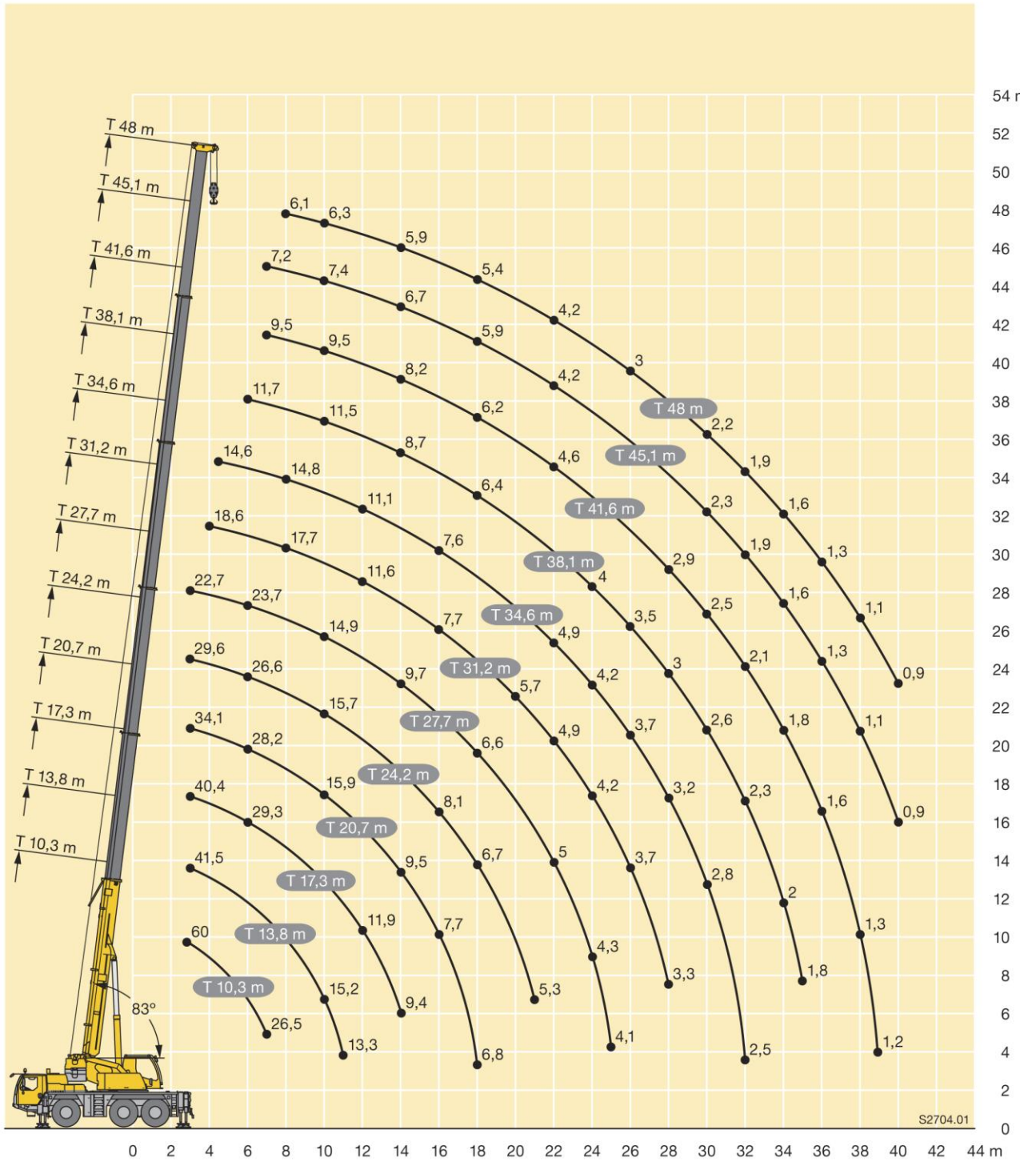
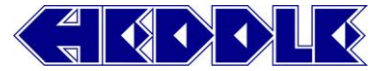
* abgesenkt · lowered · abaissé · abbassato · suspensión abajo · шасси осажено

Heddle Construction Ltd

Grainshore Road, Hatston Industrial Estate, Kirkwall, Orkney, KW15 1FL

+44 (0) 1856 888666 | www.heddle.co.uk

Liebherr LTM1060-3.1 – Lifting Capacities



Heddle Construction Ltd

Grainshore Road, Hatston Industrial Estate, Kirkwall, Orkney, KW15 1FL

+44 (0) 1856 888666 | www.heddle.co.uk