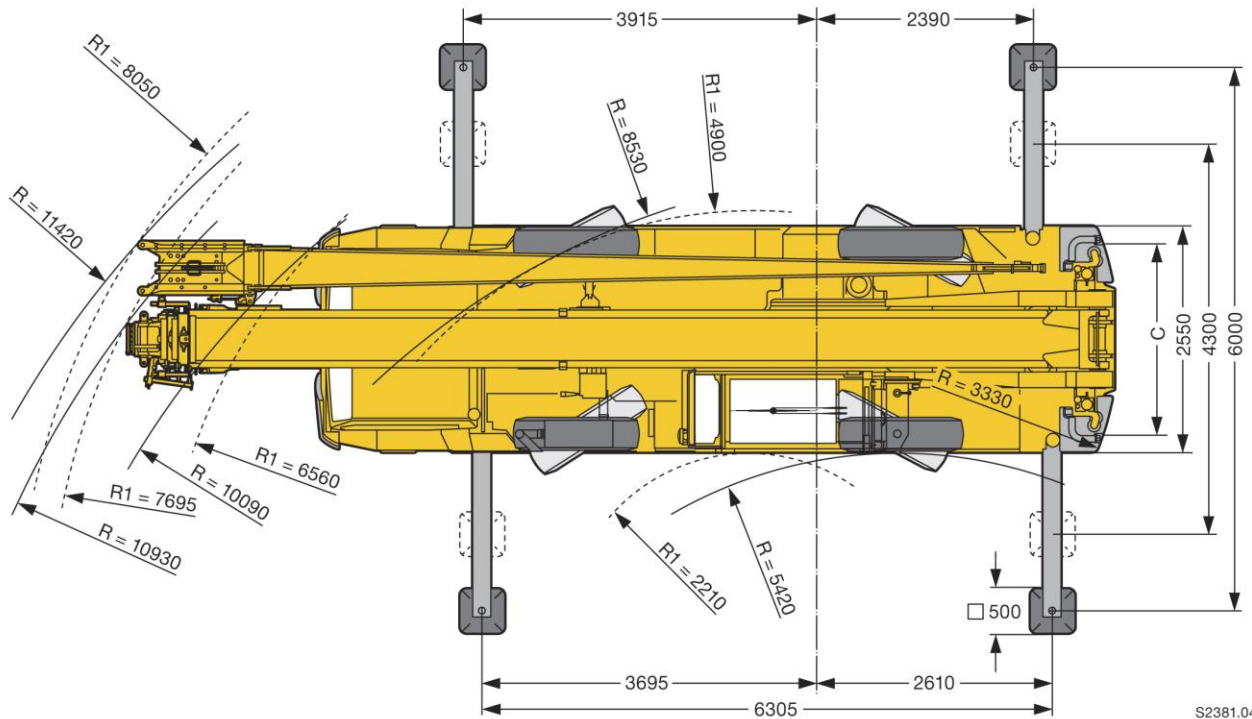
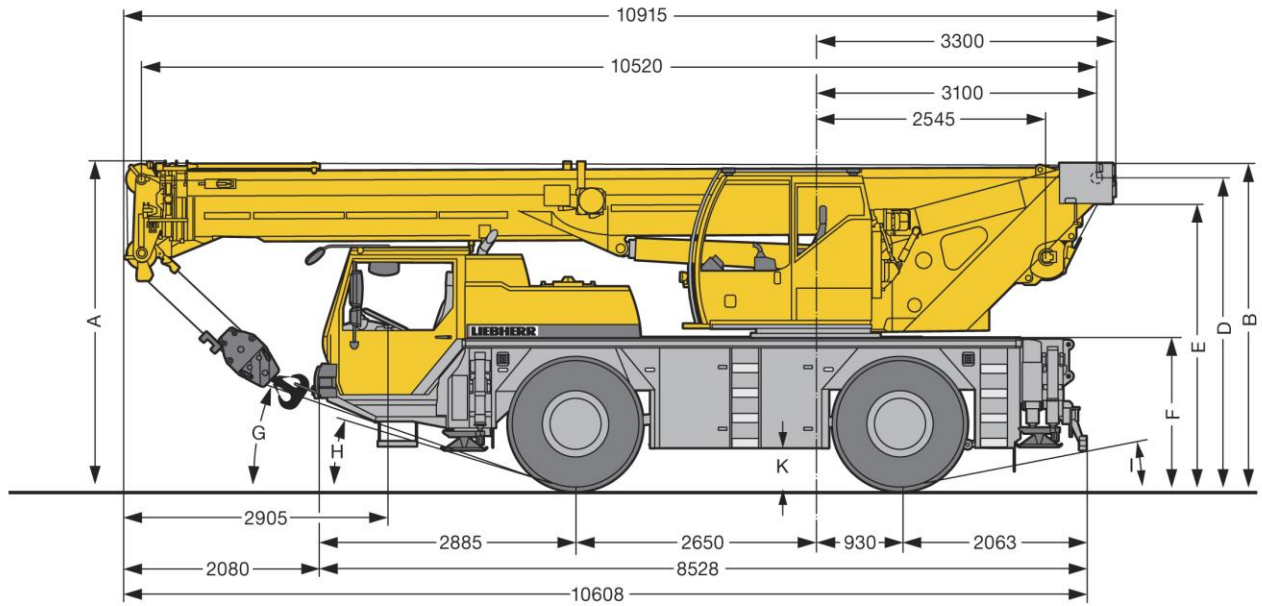


# Liebherr LTM1040-2.1 – Dimensions



S2381.04

R<sub>1</sub> = Allradlenkung · All-wheel steering · Direction toutes roues · Tutti gli assi sterzanti · Dirección en todos los ejes · Поворот всеми колесами

	Maße · Dimensions · Encombrement · Dimensioni · Dimensiones · Размеры mm										
	A	A 100 mm*	B	C	D	E	F	G	H	I	K
14.00 R 25 (385/95 R 25)	3550	3450	3550	2113	3369	3074	1598	18°	16°	11°	375
16.00 R 25 (445/95 R 25)	3600	3500	3600	2101	3419	3124	1648	19°	17°	12°	425

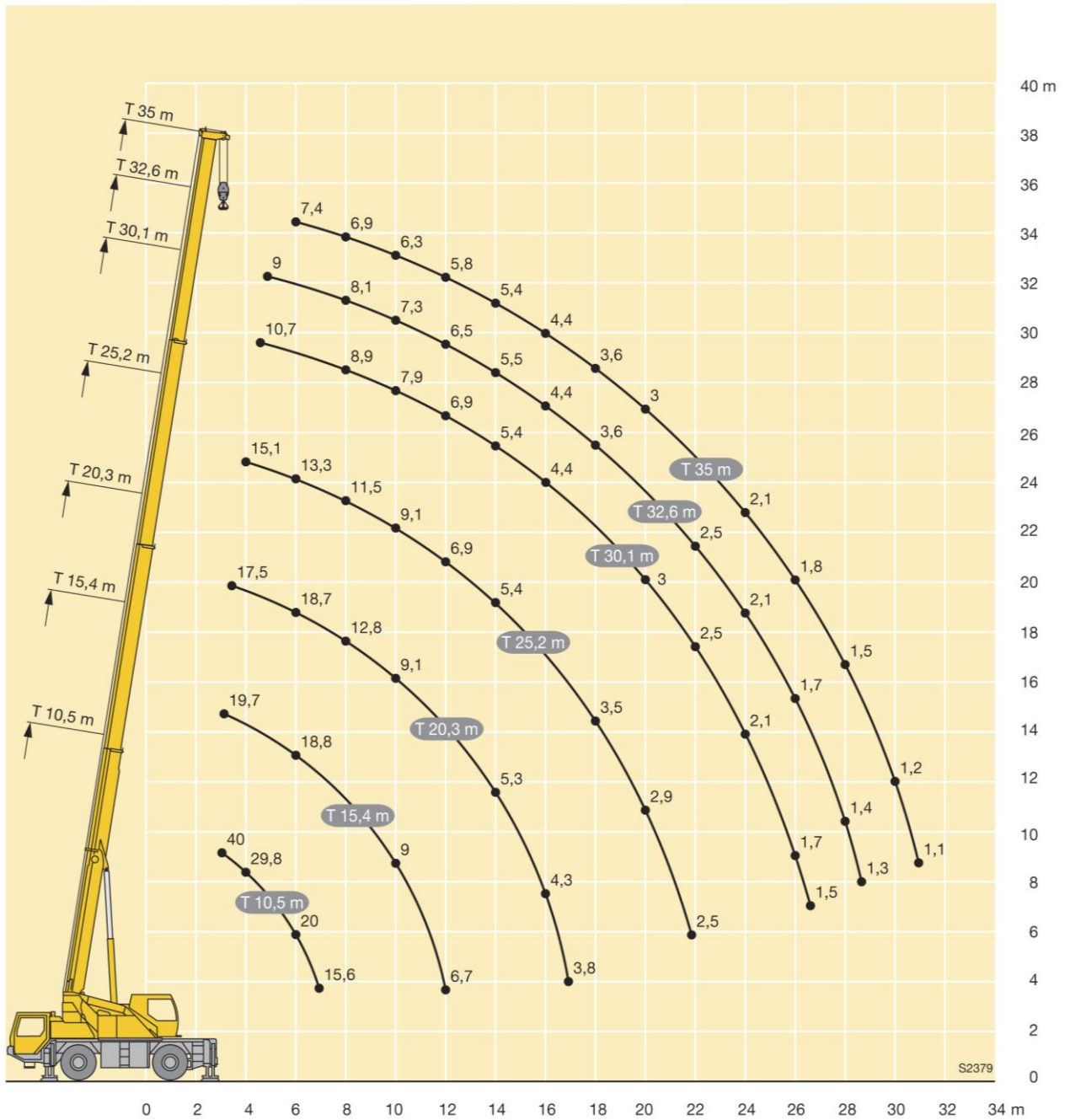
\* abgesenkt · lowered · abaissé · abbassato · suspensión abajo · шасси осажено

**Heddle Construction Ltd**

Grainshore Road, Hatston Industrial Estate, Kirkwall, Orkney, KW15 1FL

+44 (0) 1856 888666 | [www.heddle.co.uk](http://www.heddle.co.uk)

# Liebherr LTM1040-2.1 – Lifting Capacities



## Hedde Construction Ltd

Grainshore Road, Hatston Industrial Estate, Kirkwall, Orkney, KW15 1FL

+44 (0) 1856 888666 | [www.hedde.co.uk](http://www.hedde.co.uk)